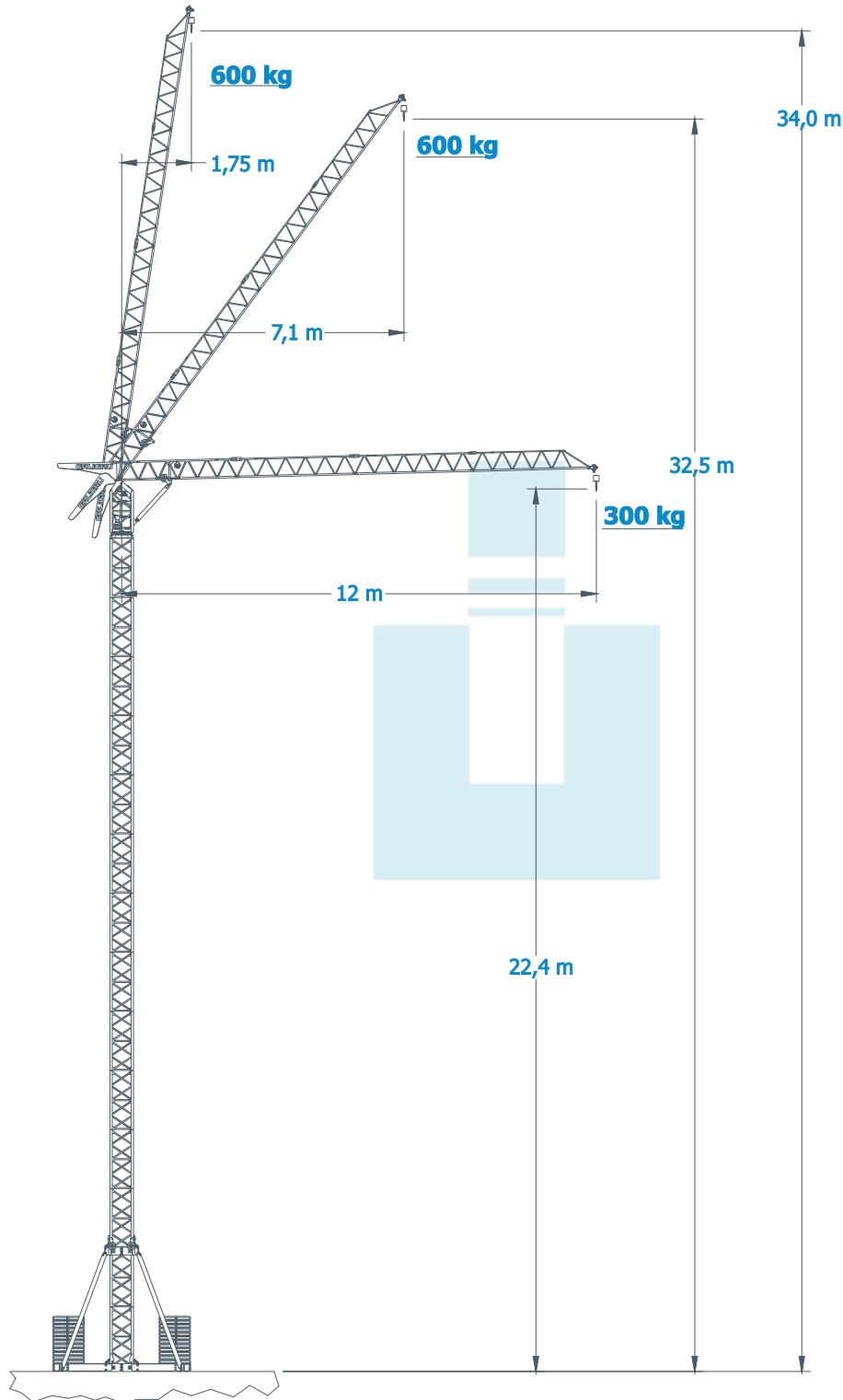


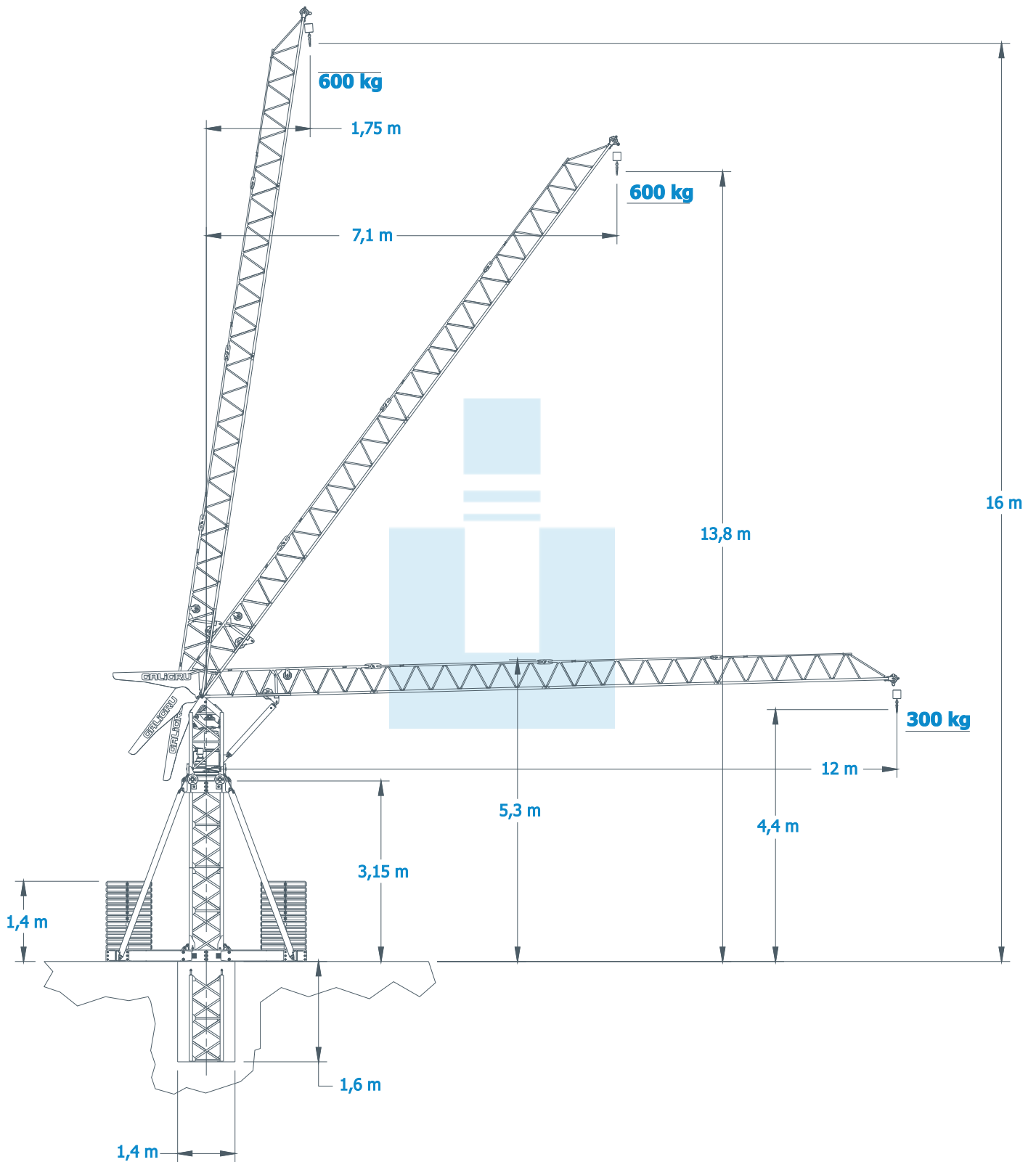
## LUFFING FLAT TOP - TOWER CRANE



CE FEM 1.001 A3

Product specifications and prices are subject to change without notice or obligation. The photographs and/or drawings in this document are for illustrative purposes only. Refer to the appropriate Operator's Manual for instructions on the proper use of this equipment. Failure to follow the appropriate Operator's Manual when using our equipment or to otherwise act irresponsibly may result serious injury or death. The only warranty applicable to our equipment is the standard written warranty applicable to the particular product and sale and Galigrú makes no other warranty, express or implied. Products and services listed may be trademarks, service marks or trade-names of Galigrú and/or its subsidiaries in Portugal and other countries and all rights are reserved.

# GL1203

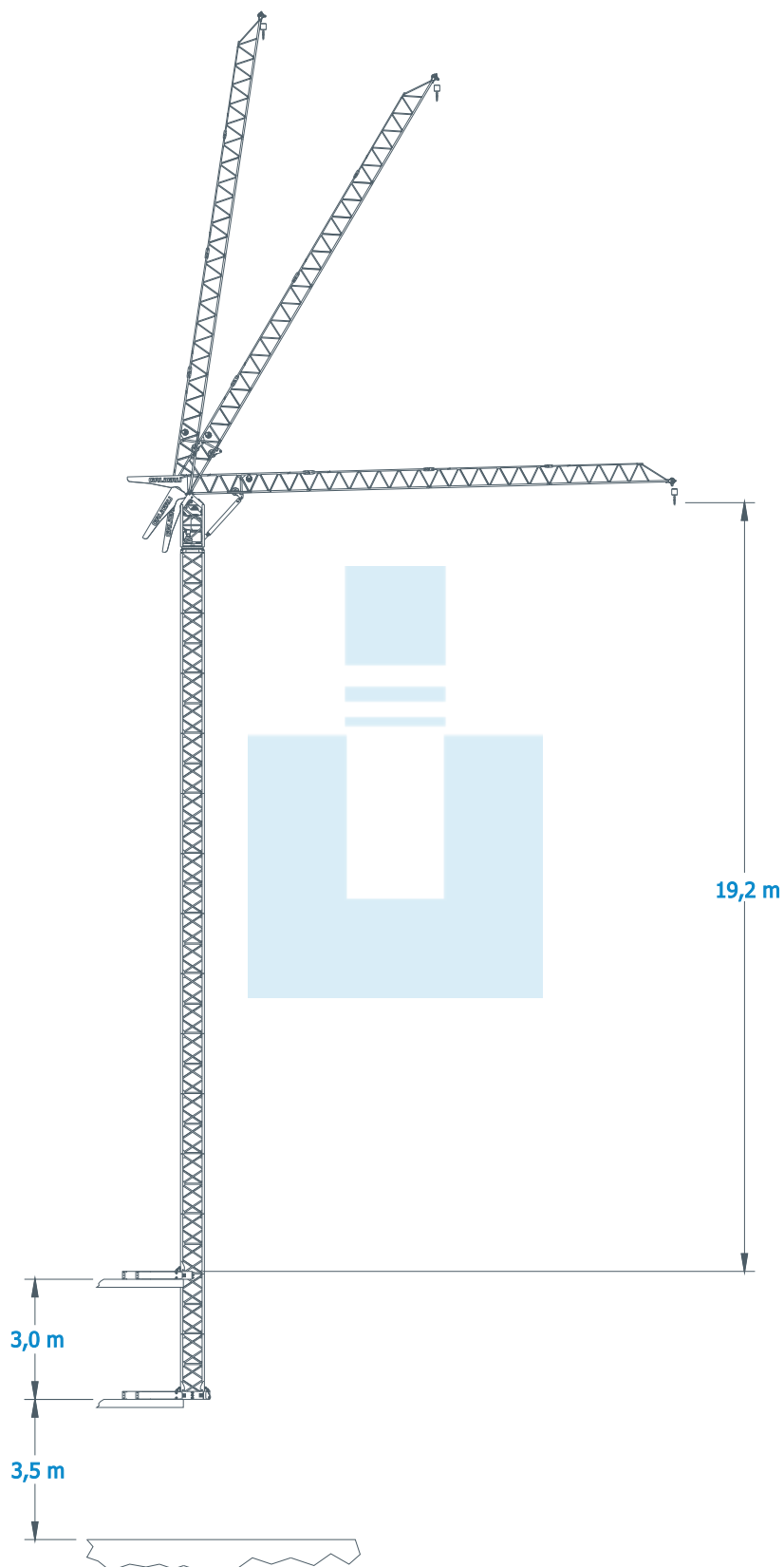


Product specifications and prices are subject to change without notice or obligation. The photographs and/or drawings in this document are for illustrative purposes only. Refer to the appropriate Operator's Manual for instructions on the proper use of this equipment. Failure to follow the appropriate Operator's Manual when using our equipment or to otherwise act irresponsibly may result serious injury or death. The only warranty applicable to our equipment is the standard written warranty applicable to the particular product and sale and Galigru makes no other warranty, express or implied. Products and services listed may be trademarks, service marks or trade-names of Galigru and/or its subsidiaries in Portugal and other countries and all rights are reserved.

# GL1203

# GALIGRU

ELEVACIÓN ESTÁTICA



Product specifications and prices are subject to change without notice or obligation. The photographs and/or drawings in this document are for illustrative purposes only. Refer to the appropriate Operator's Manual for instructions on the proper use of this equipment. Failure to follow the appropriate Operator's Manual when using our equipment or to otherwise act irresponsibly may result serious injury or death. The only warranty applicable to our equipment is the standard written warranty applicable to the particular product and sale and Galigru makes no other warranty, express or implied. Products and services listed may be trademarks, service marks or trade-names of Galigru and/or its subsidiaries in Portugal and other countries and all rights are reserved.

## MECHANISMS

	m/min.	0 - 25		kW	hp
	ton.	0,6			
	min.	0,9			
	rpm	0 - 0,7	4	5	

CEI 38		IEC 38	<b>kVA</b>
230V (+6% -10%) 50Hz			4 kVA



Hoisting    Luffing    Slewing    Travelling    Travelling    Power requirements    Directive requirements on noise level